



产品概述

用第二级的三相电源浪涌保护器, 采用相线对地线(PEN)的共模保护式, 适合安装在LPZ1区和LPZ2区的交界处

Product overview

This is a power surge protector with three-phase in second stage, adopts common-mode protection of phase-to-ground (PEN), which is suitable for installation at the junction of LPZ1 area and LPZ2 area

主要特点

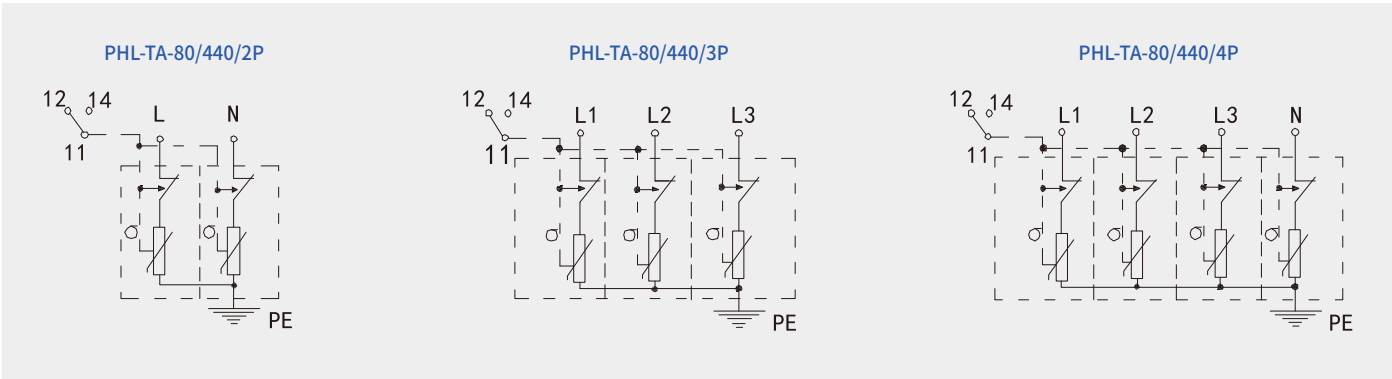
Main characteristics

- 模块自锁功能, 避免因松动而失去保护  
Module self-locking function to avoid the loss of protection because of loose
- 底座预连接, 方便接线  
The base is with pre-connected wiring, easy to wire
- 可轻松插拔模块, 便于更换  
Plug-in modules for easy replacement.

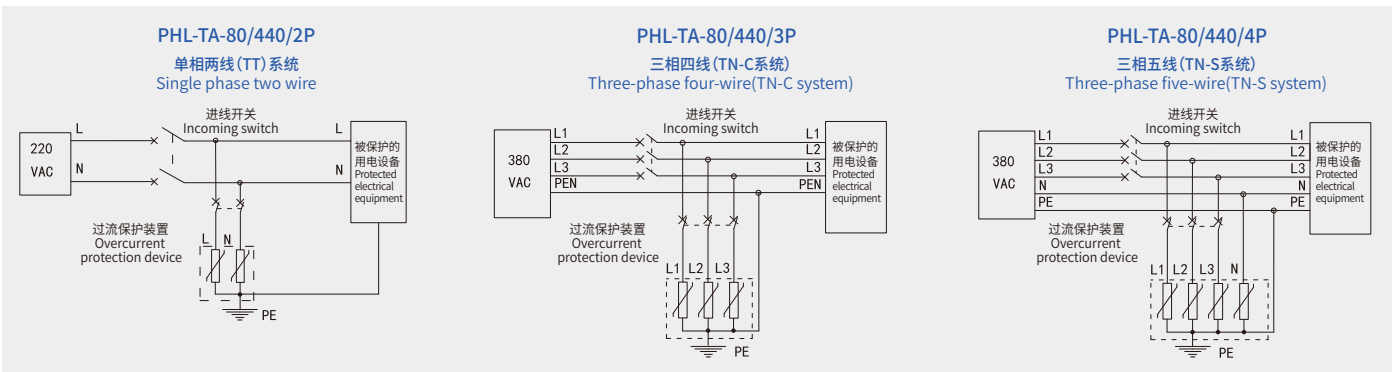
技术数据 Technical data

额定工作电压Un Rated operating voltage Un	220VAC	220VAC	220VAC
最大工作电压Uc Maximum operating voltage Uc	440VAC	440VAC	440VAC
标称放电电流In(8/20μs) Nominal discharge current In (8 / 20μs)	40KA	40KA	40KA
最大放电电流Imax(8/20μs) The maximum discharge current (8 / 20μs)	80kA	80kA	80kA
保护电压Up(In下) Protection voltage Up ( under In)	<2400V	<2400V	<2400V
连接导线截面积 Cross-sectional area of connecting wire	1.5mm <sup>2</sup> ~25mm <sup>2</sup> 软线 1.5mm <sup>2</sup> ~25mm <sup>2</sup> flexible wire	1.5mm <sup>2</sup> ~25mm <sup>2</sup> 软线 1.5mm <sup>2</sup> ~25mm <sup>2</sup> flexible wire	1.5mm <sup>2</sup> ~25mm <sup>2</sup> 软线 1.5mm <sup>2</sup> ~25mm <sup>2</sup> flexible wire
响应时间 Response time	<25ns	<25ns	<25ns
外壳防护等级(符合IEC 60529) Degrees of protection provided by enclosure (in line with IEC 60529)	IP 20	IP 20	IP 20
外壳材料/阻燃等级 Housing material/flammability rating	UL94-V0	UL94-V0	UL94-V0
测试标准 Test standard	GB 18802.1/IEC 61643-1	GB 18802.1/IEC 61643-1	GB 18802.1/IEC 61643-1
适合电源系统 Applied power system	单相两线 Single phase two wire	三相四线(TN-C系统) Three-phase four-wire(TN-C system) 三相三线(IT系统) Three-phase three-wire(IT system)	三相五线(TN-S系统) Three-phase five-wire(TN-S system)
老化指示功能 Aging indicator function	有(指示窗口有绿色变为红色) Yes(Indicator window turns from green to red)	有(指示窗口有绿色变为红色) Yes(Indicator window turns from green to red)	有(指示窗口有绿色变为红色) Yes(Indicator window turns from green to red)
熔断器或断路器选型(A) Fuse or circuit breaker selection(A)	63、100	63、100	63、100
老化热脱离功能 Aging thermal separation function	有 Yes	有 Yes	有 Yes
工作温度范围 Working temperature range	-40°C~+80°C	-40°C~+80°C	-40°C~+80°C
安装方法 Installation method	35mmDIN导轨 DIN35mm rail	35mmDIN导轨 DIN35mm rail	35mmDIN导轨 DIN35mm rail

# 交流电源SPD (80kA) AC Power SPD (80kA)



## 接线方式 Schematic diagram



## 外形尺寸 Dimension drawings

